

RS232 to RS422 Converter  
Part no. XS202

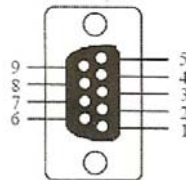


DB9 Female	RS232
1	DCD
2	RXD
3	TXD
4	DTR
5	GND
6	DSR
7	RTS
8	CTS
9	RI

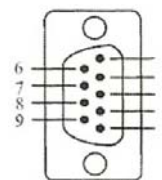
RS422	
Pin no.	DB9 Male
1	TX+
2	TX-
3	RX+
4	RX-
5	GND
6	5VDC
7	
8	
9	

This bi-directional RS232 to RS422 converter is port-powered with an optional external power supply terminal. An internal amplifier supplies power from the RS232 port without initializing the RS232 interface. If the RS232 port is not capable of supplying sufficient power, the external power supply can easily be connected. It supports 4-wire RS422 communications of up to 300 - 115200bps in full-duplex. A simple and reliable solution for most general and industrial communication needs.

DB9 Female

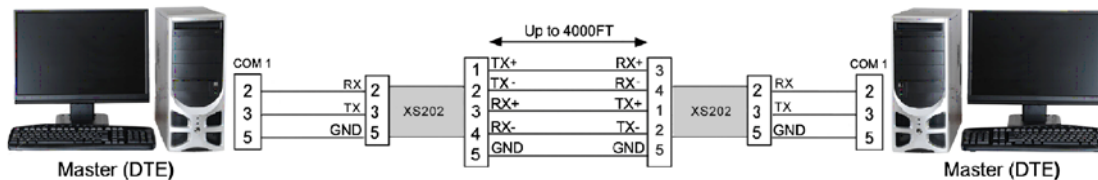


DB9 Male



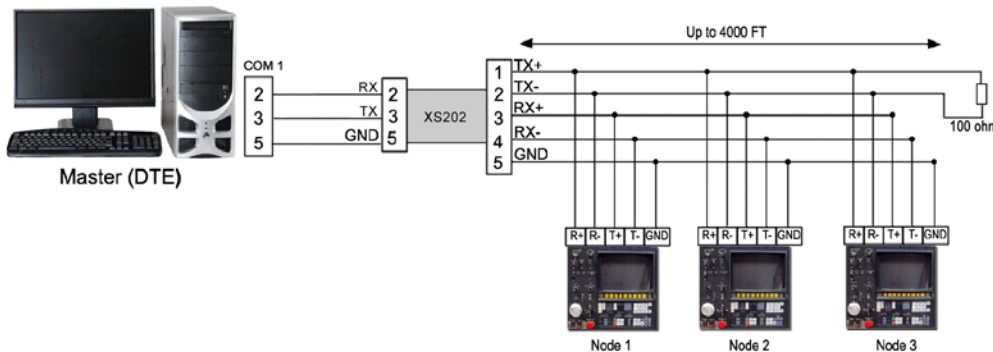
SPECIFICATIONS	
Model number	XS202
Baud rate	300 - 115200bps
Power	Port-powered from RS232 (RTS, DTR, TXD) Optional external power: 5VDC
Current consumption	< 10mA
Interface RS232	DB9 female connector
Interface RS422	DB9 male connector and terminal board
Working mode	4-wire RS422 asynchronous, full-duplex differential
Standards	EIA/TIA RS-232C / RS422
Transmission distance	RS232: Typical: 15 FT (5m) RS422: Typical: 4000 FT. (1200m)
Static and protection	1500W, 600W/ms
Handshake / flow control	Automatic
Certifications	CE, FCC, RoHS ISO 9001 Certified
Operating Temp.	-40°F to 180°F (-25°C to 70°C)
Operating humidity	5% To 95% - No Condensation
Dimensions	2.47" x 1.33" x 0.70" (62.8 mm x 33.8 mm x 17.8 mm)
Warranty	5-year Limited Warranty
ECCN	4A994.a
Schedule B	8471.80.1000
HTS	8517.18.0050

Extending communication distance with RS422



Notice: The remote RS232 end needs to be connected to a standard RS232 port. A loop-back test will not work in this extension setup.

Master/Slave Multi-drop configuration with RS422



To access technical support, please visit the U.S. Converters website at: [www.USconverters.com](http://www.USconverters.com)  
Here you will find:

- Latest drivers and updates for download
- Technical tips
- Documentation
- Configuration support
- and much more...

Feel free to contact our technical support team at [mail@usconverters.com](mailto:mail@usconverters.com) with any issues.

Copyrights © U.S. Converters